

HIT-400/400L/360D

High Rigid Tapping & Drilling Center





Auto Mobile Transmission Cover

PRODUCTIVE RIGID TAPPING & DRILLING CENTER

Tapping Center that Delivers High Productivity and Efficiency

HIT-Series uses direct high speed spindles which enable stable rigid tapping and drilling during prolonged machining. Its quick tool change and fast feed minimize non-cutting time to yield high productivity. This high-speed Tapping Center delivers excellent performance especially in IT component and auto part machining.



HIGH PERFORMANCE & HIGH PRODUCTIVITY TAPPING CENTER

HIT-400 / HIT-400L / HIT-360D

Optimum Base Speed for Aluminum Machining of IT and Auto Part Industries

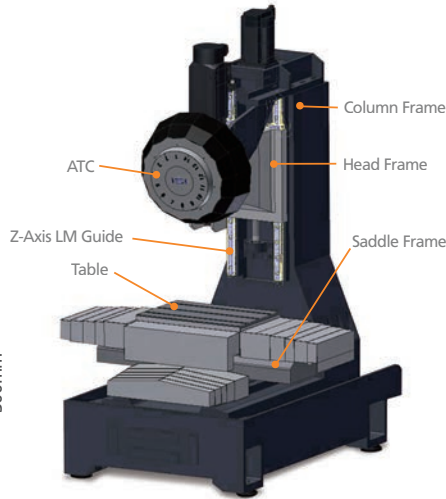
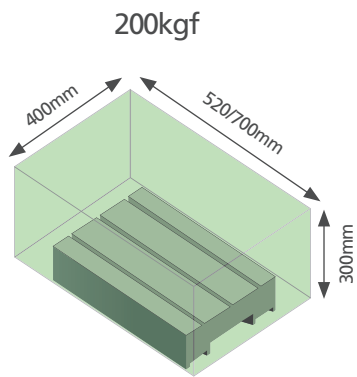
The direct spindle structure and BBT-30 Tool shank are adopted as the standard and the ceramic bearing is implemented to minimize the thermal deformation. The table positioning system is applied through the hydraulic non lift-up table rotation and curvic coupling. This system maintains quick pallet change, precise table positioning and interactive precision.

High-quality products are produced with stability even during prolonged machining. Enhanced user convenience and machining optimization through various add-on functions further boost the product quality.

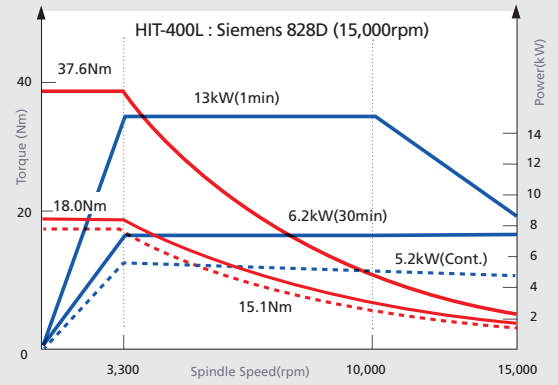
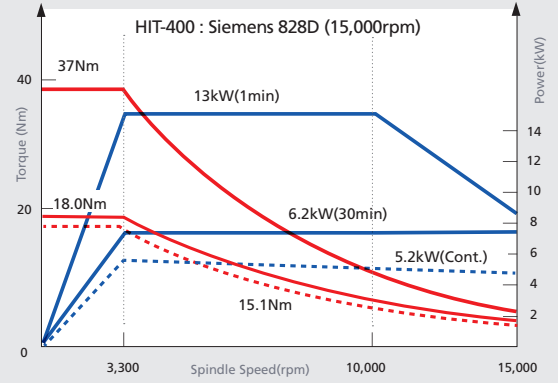


Max. load capacity

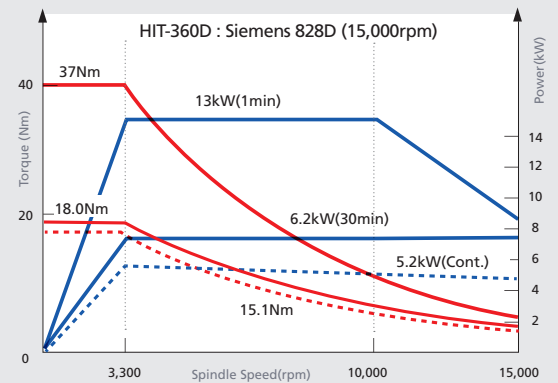
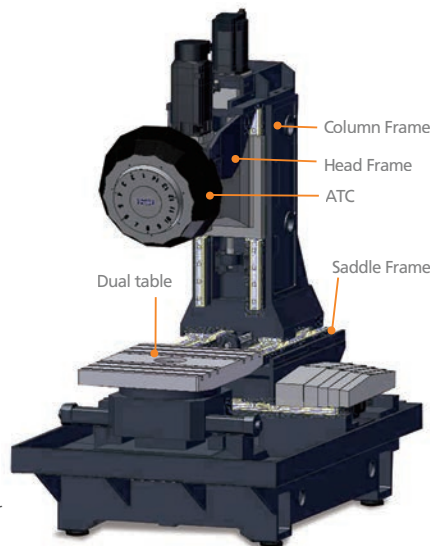
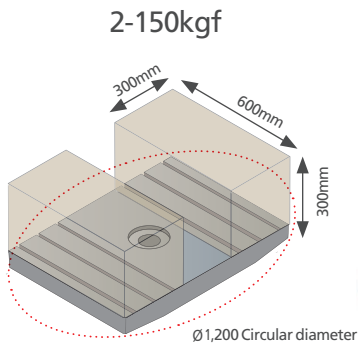
HIT-400 / 400L



Spindle power-torque diagram

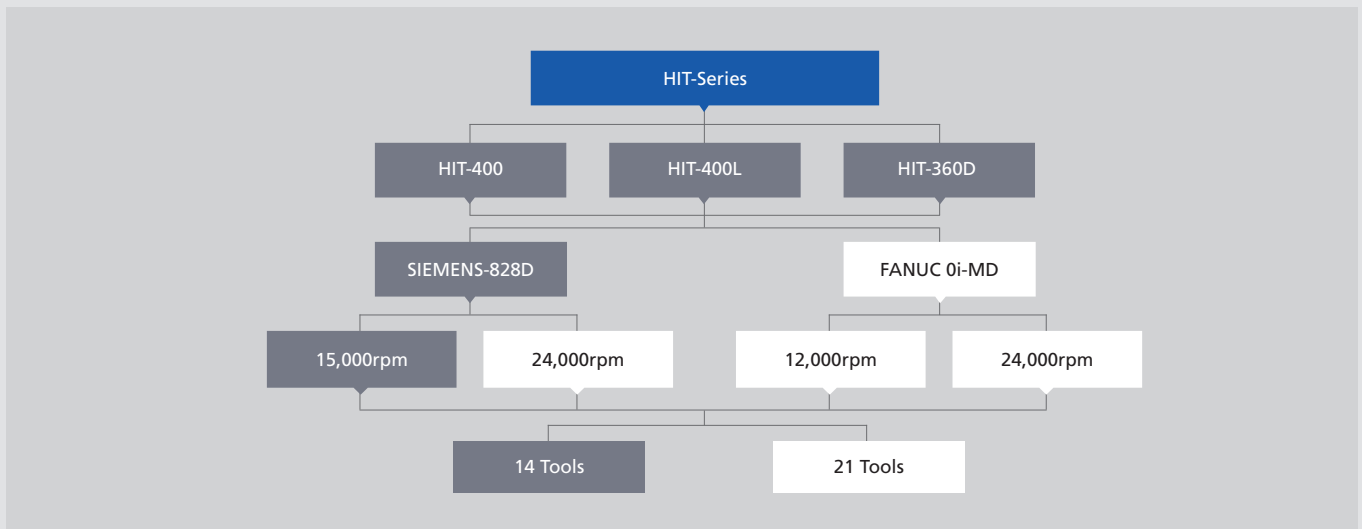


HIT-360D



Product Configuration

Each product can be configured to fit your application



Machine Specifications

ITEM	HIT-400		HIT-400L		HIT-360D		
	15,000rpm	12,000rpm	15,000rpm	12,000rpm	15,000rpm	12,000rpm	
Spindle							
Spindle power	kW	6.2 / 5.2	7.5 / 5.5	6.2 / 5.2	7.5 / 5.5	6.2 / 5.2	7.5 / 5.5
Spindle taper	type	BBT30		BBT30		BBT30	
Table							
Table Size	mm	600 x 400		800 x 400		2 - 600 x 300	
Max. loading capacity	kgf	200		200		2-150	
Table change time	sec.	-		-		5	
Table change type	type	-		-		Non Lift Turning	
Travel							
X/Y/Z travel	mm	520 / 400 / 300		700 / 400 / 300		440 / 360 / 300	
Distance from table surface to spindle nose	mm	150 ~ 450		150 ~ 450		190 ~ 490	
Distance from column to spindle center	mm	454		454		454	
Rapid traverse(X/Y/Z)	kW	50/50/60		60/60/60		60/60/60	
Servo motor(X/Y/Z)	kW	2.6/2.6/2.6	1.6/1.6/3.0	2.6/2.6/2.6	1.6/1.6/3.0	3.3/3.3/3.3	1.6/1.6/3.0
ATC							
No. of tools	ea	14 (21)		14 (21)		14 (21)	
Max. tool size / Max. tool diameter	mm/Ø	200 x 80		200 x 80		200 x 80	
Max. tool weight	kgf	2.8		2.8		2.8	
Power source							
Electric power supply	kVA	25		25		25	
Lay out							
Floor space (L x W)	mm	1,650 x 2,035		2,100 x 2,155		1,700 x 3,000	
Machine height (H)	mm	2,480		2,480		2,480	
Machine weight	kgf	2,580		2,580		2,665	
NC controller							
Model	-	Siemens 828Dsl	Fanuc 0iM-D	Siemens 828Dsl	Fanuc 0iM-D	Siemens 828Dsl	Fanuc 0iM-D
Display	-	10.4" LCD	8.4 LCD	10.4" LCD	8.4 LCD	10.4" LCD	8.4 LCD
Memory	-	3MB	512KB	3MB	512KB	3MB	512KB

Accessories

Standard Accessories		Optional Accessories	
• Absolute servo motor	• Operating manual	• Air blow unit	• Index interface
• Air unit	• Portable MPG	• Air gun	• Jet coolant
• Automatic lubrication unit	• Signal light(3-color:R/Y/G)	• ATC : 21ea	• Jig & fixture interface
• Bed shower coolant	• Spindle air blast	• Auto door	• Oil skimmer
• Coolant tank and chip tray	• Tool box & tool kit	• Automatic work measuring device	• Rotary table
• Front door interlock	• USB memory equipment	• CF memory card(4GB)	• Rotary table interface
• Full splash guard	• Work light	• Chip conveyor(scraper/hinge)	• Semi-dry unit
• Leveling bolt & block		• CNC System : Siemens-840Dsl, Fanuc 0iMD, 31iB, 31iB5(5axis)	• Soluble coolant
		• Coolant gun	• Spindle speed 24,000rpm
		• Coolant through spindle	• Sub top cover
		• Counter	• Tool length/dia. measuring device
		• High column	• Tool taper washing unit
		: 150mm (HIT-400, 400L)	• Top cover
		• Hydraulic system(Jig)	• Transformer : 25kVA

NC Specifications [Siemens 828D & Fanuc 0i-MD]

CNC system		
NC controller	Siemens 828D	Fanuc 0iM-D
Display	10.4" LCD	8.4" LCD
Controlled axis		
Linear interpolation axes	3-axis	3-axis
Simultaneously controlled axes	3-axis	3-axis
Least input increment	0.001mm	0.001mm
Inch/metric conversion	G20, G21	G20, G21
Edit / Operation		
Program number search	-	-
Dry run	-	-
Single block	-	-
Manual handle feed rate	x1, x10, x100	x1, x10, x100
Language	Multi-Language	Multi-Language
Interpolation		
Positioning	G00	G00
Linear interpolation	G01	G01
Circular interpolation	G02, G03	G02, G03
Dwell(per seconds)	G04	G04
Program		
Coordinate system setting	-	G92
Work piece coordinate system	G54 ~ G59	G54 ~ G59
Block skip	9EA	9EA
Look ahead, block	100Block	20Block
Program storage size	3MB	512KB
Sub program call	-	-
Interface device		
USB, CF memory card		
LAN		
Optional items		
External memory	CF memory card	4GB
Power device	Transformer	25kVA

Hwacheon Global Network

📍 Hwacheon Headquarters 📍 Hwacheon USA 📍 Hwacheon Europe 📍 Hwacheon Asia



HWACHEON

Please contact us for product inquiries.

www.hwacheon.com

The product design and specifications may change without prior notice.

HEAD OFFICE

HWACHEON MACHINERY CO., LTD

46, BANGBAE-RO, SECHO-GU, SEOUL, 137-851, KOREA
TEL: +82-2-523-7766 FAX: +82-2-523-2867

USA

HWACHEON MACHINERY AMERICA, INC.

555, BOND STREET, LINCOLNSHIRE, ILLINOIS,
60069, USA
TEL: +1-847-573-0100 FAX: +1-847-573-9900

GERMANY

HWACHEON MACHINERY EUROPE GMBH

JOSEF-BAUMANN-STR, 25, 44805 BOCHUM, GERMANY
TEL: +49-234-912-8160 FAX: +49-234-912-816-60

SINGAPORE

HWACHEON ASIA PACIFIC PTE. LTD.

21 BUKIT BATOK CRESCENT #08-79, WCEGA TOWER,
SINGAPORE 658065
TEL: +65-6515-4357 FAX: +65-6515-4358